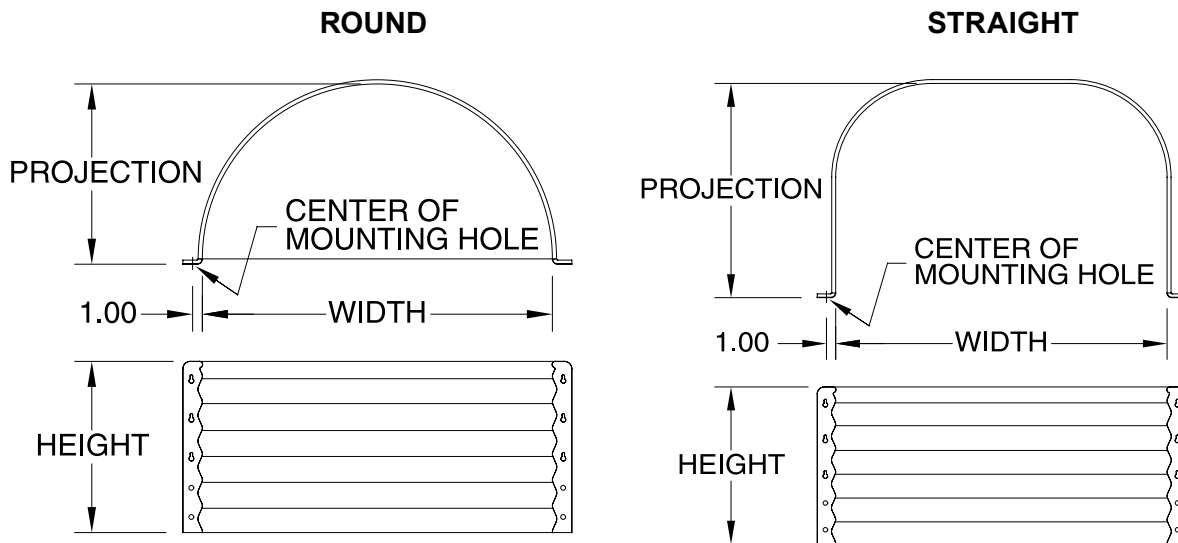




**Spec Sheet -  
Round and Straight Window Well**



**NOMENCLATURE = (WIDTH), (PROJECTION), (HEIGHT)  
HOLES CENTERS = WIDTH + 2.00"**