

MONARCH

Materials Group Inc.

PREMIER V

Bucko Cast In Place

28972 R. Ave
Adel, Iowa 50003
800-343-9370

1850 West Adriatic Place
Englewood, Colorado 80110
303-935-4679

Visit Monarch Materials Group, Inc. at www.monmatgrp.com

Premier V Cast In Place Bucko Slider Window

End User notes: (Read the instructions completely before installing the windows).

- It is the responsibility of the owner, architect and/or builder to select products that comply with applicable laws, egress and local building codes that are appropriate to the intended application and use.
- Monarch vinyl windows have a warranty plan covering workmanship and materials for a period of one year from date of factory shipment. Insulating glass is warranted under a 10 year plan against failure.
- Contact the nearest Monarch Materials Group sales representative if there are any problems.
- When the window was part of a package, read as well the instructions for Wells, Covers and Ladders.

Safety and Handling:

- Work safe and always wear proper gloves, eye and ear protection.
- Use caution when handling glass. Broken or cracked glass can cause serious injury.
- Use caution when working at elevated heights.
- Do not let the windows get wet prior to installation.
- Store the windows in a safe location, out of direct sunlight prior to installation.
- Take proper precautions if lead paint is suspected, generally before 1979. (Check www.epa.gov/lead).

Tools needed:

a) Safety glasses.



d) Utility knife.

g) Pry bars.

b) Level.



e) Square.

h) Caulking gun.

c) Hammer.

f) Tape measure.



Materials needed:

- * Ties.
- * Sash set.
- * Caulk.
- * Nails
- * Screen.

Inspect Window/Labeling:

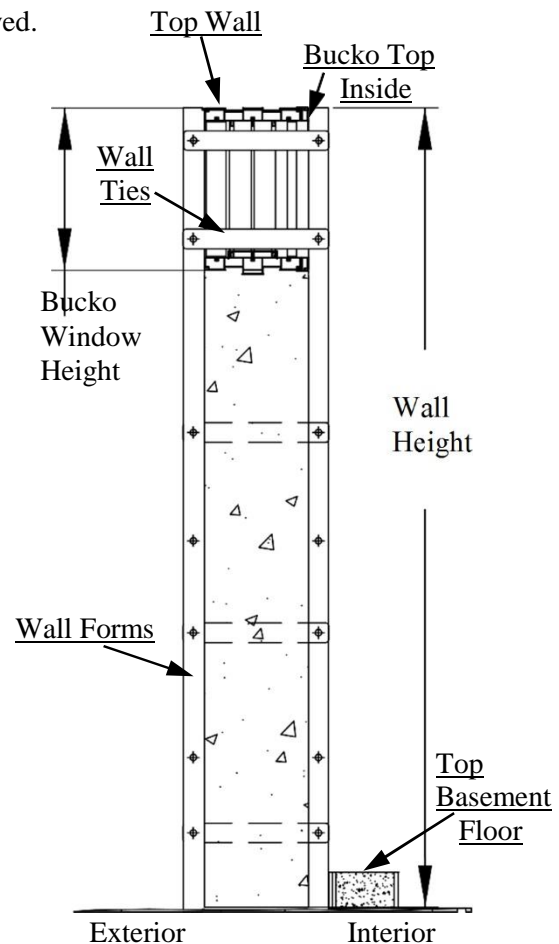
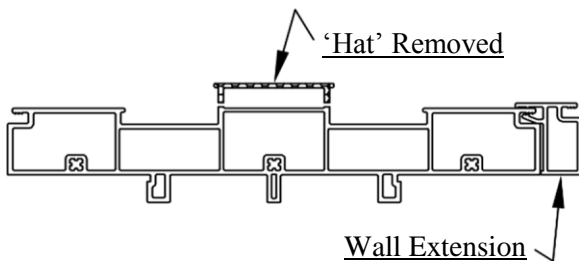
- **Do not** remove the plastic film.
- Inspect the windows for any damage or defects.
- Verify that the window unit is the correct size and configuration.
- Locate the 'Top Inside' label for window orientation. '**Top Inside**' indicates top and interior surface.
- On **Bucko window sizes**, the sash sets and screen are installed between the wood bracing, do **NOT** install the ties through the window during the pour.

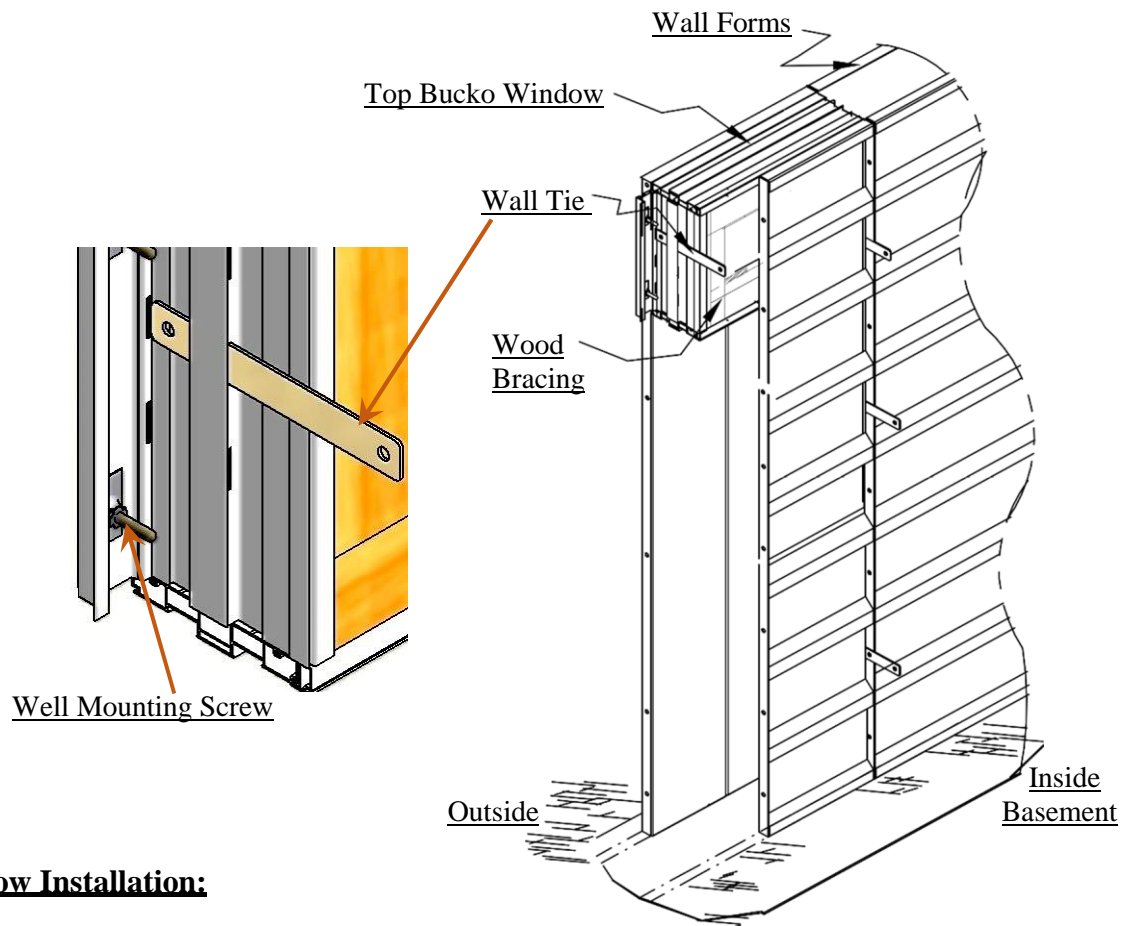


Label "Top Inside"

Prepare Wall Opening:

- Check the window 'Call Out' for the required size and concrete wall width.
- Determine the desired location of the window.
- The top 'hat' is removed on the Bucko Premier windows to allow for a flush install with the sill plate.
- The window well brackets are for easy install of the window wells.
- For remodeling windows all the 'hats' on the window are removed.





Window Installation:

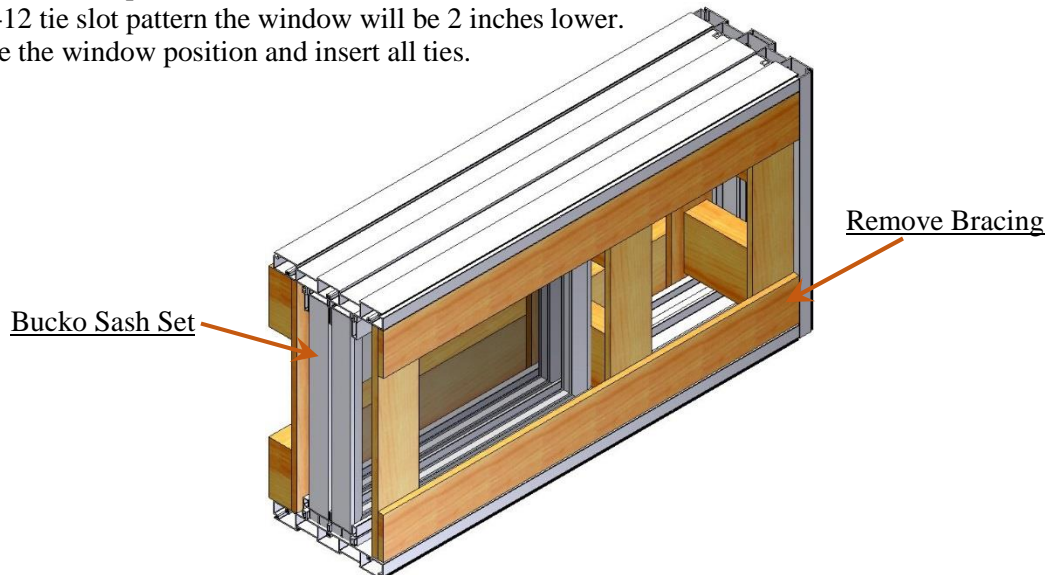
- Locate the 'Top Inside' label for the correct window orientation.
- During the installation check the window is level and square.
- No ties can be placed through the center of the Bucko window.

Wood Forms:

- Use at least 10d or 16d nails.
- Position the window in the desired location and nail through the bracing at the head first.
- Proceed with nailing the jambs and sill.

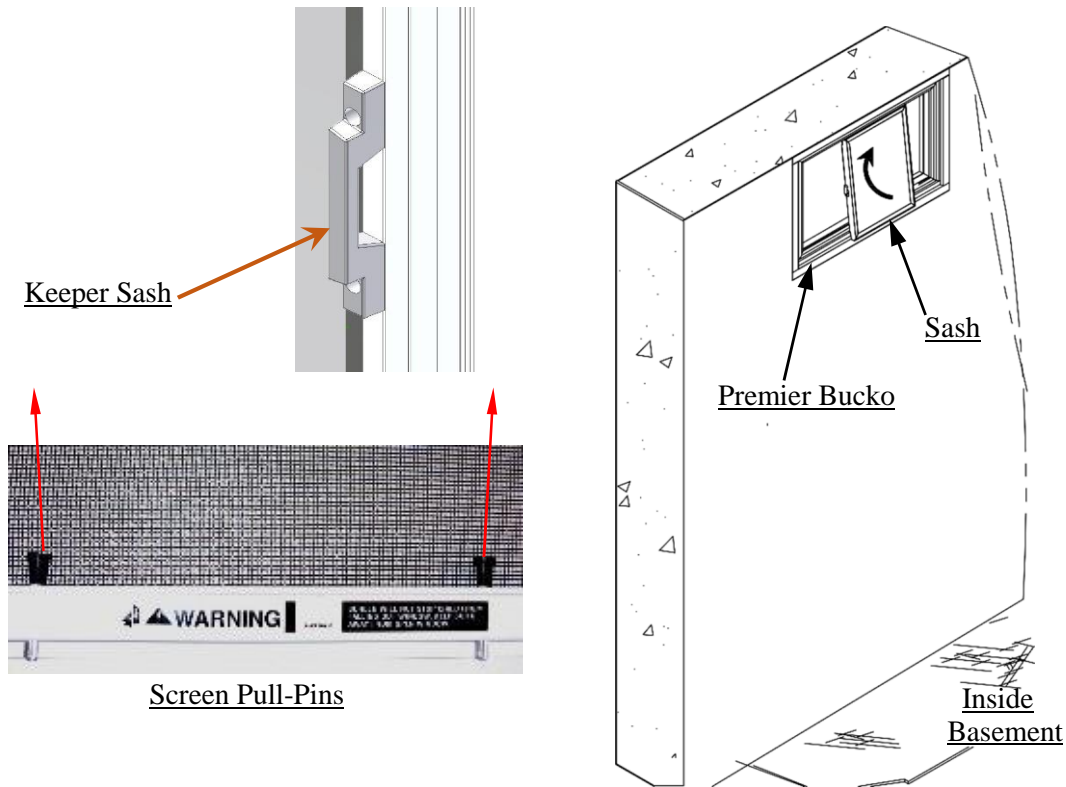
Aluminum Forms:

- Use the correct wall ties length for the required concrete wall width.
- If the window is to be positioned flush with the sill plate then the tie slot pattern has to match the forms.
- For the 8-24 tie slot pattern the window can be mounted flush.
- For the 6-12 tie slot pattern the window will be 2 inches lower.
- Determine the window position and insert all ties.



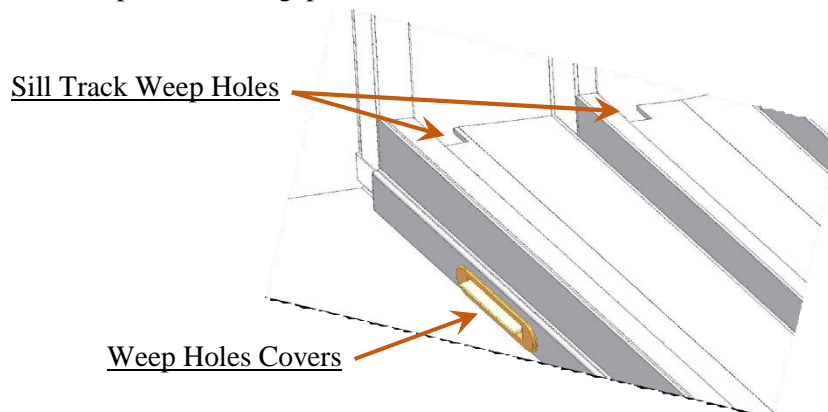
Sash and Screen Installation:

- Remove shipping materials until ready for installation.
- Install the sash set and screen from the interior basement side.
- First maneuver the Keeper Sash through the opening and then by placing the top of the sash into the exterior groove of the head track, lift the sash and swing the bottom in and lower into the exterior groove of the bottom track. Slide the sash all the way to the left.
- Insert the Screen by grasping the two pull-pins close to the warning label and maneuver through the opening by keeping the warning label close to the bottom of the window. Lift the screen upward onto the exterior of the head sash track surface and interlocking the top pull pins. Pull the screen gently onto the exterior bottom sash track surface and release the pull pins. Ensure the screen is secure in place.
- Insert the Lock Sash by placing the top of the sash into the interior groove of the head track, lift the sash and swing bottom in and lower into the interior groove of the bottom track. Slide the lock sash all the way to the right and engage the cam locks into the keeper locks.



Window Sealing/Weatherproofing:

- Both removable sashes are fully weather stripped.
- Check the cam lock is engaged into the keeper lock.
- Check the two exterior sill Weep Hole covers for functionality.
- Check the outer window frame perimeter for gaps on the interior and exterior and if needed seal with caulk.



Removal/Disposal/Recycling:

After the forms have been stripped:

- Remove and recycle the plastic film.
- Remove and dispose the wood bracing, caution for nails!
- Follow all local regulations for proper disposal of all waste including old windows.

Care and Use after installation:

- Ensure weep holes/covers are clear of debris for proper water drainage.
- Make sure the sash units operate properly.
- If needed clean the window from concrete residue.