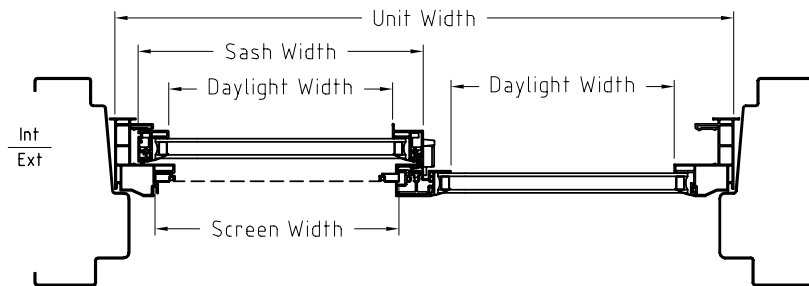
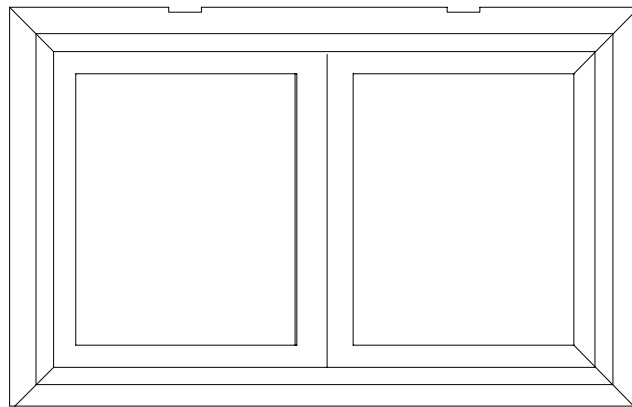
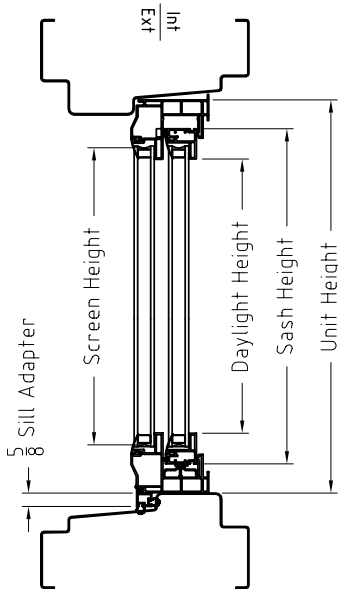




CAST IN PLACE STEEL – WINDOWS

VINYL PRO™

## Spec Sheet - Single Slider Insert Bucko Frame



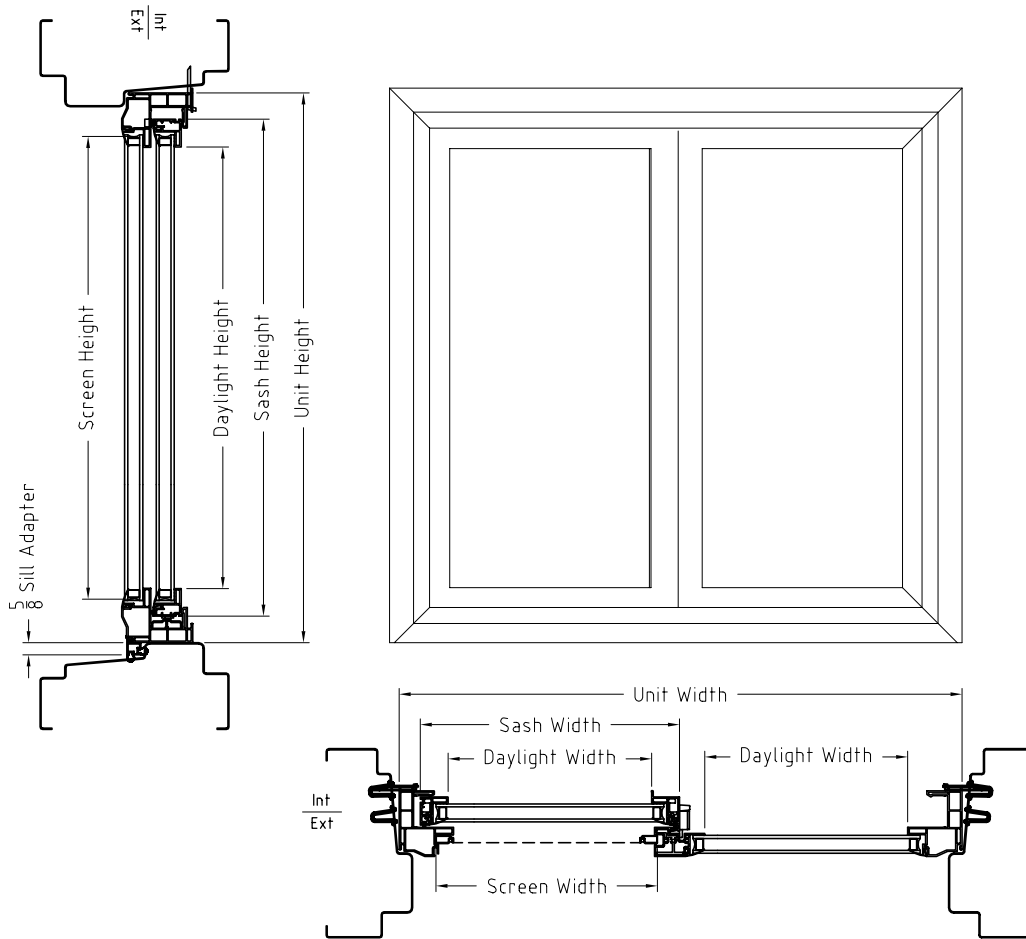
VINYL PRO™ WINDOW												
CALL OUT	UNIT		SASH		DAYLIGHT			SCREEN		VENT OPENING		
	Width	Height	Width	Height	Width	Height	Area (ft2)	Width	Height	Width	Height	Area (ft2)
1512	30 7/8	12 1/8	14 1/2	9 7/8	12 3/16	7 17/32	0.60	12 15/16	8 3/4	11 7/16	7 19/32	0.60
1516	30 7/8	16 1/8	14 1/2	13 7/8	12 3/16	11 17/32	1.00	12 15/16	12 3/4	11 7/16	11 19/32	0.90
1520	30 7/8	20 1/8	14 1/2	17 7/8	12 3/16	15 17/32	1.30	12 15/16	16 3/4	11 7/16	15 19/32	1.20



CAST IN PLACE STEEL – WINDOWS

# VINYL PRO 4™

## Spec Sheet - Single Slider Insert Picture Window



### VINYL PRO 4™

CALL OUT	UNIT		SASH		DAYLIGHT			SCREEN		VENT OPENING			
	Width	Height	Width	Height	Width	Height	Area (ft <sup>2</sup> )	Width	Height	Width	Height	Area (ft <sup>2</sup> )	
2630	30 1/4	36	14 3/16	33 3/4	11 7/8	31 3/8	2.59	12 5/8	32 5/8	11 1/8	31 7/16	2.43	
3030	36 1/4	36	17 3/16	33 3/4	14 7/8	31 3/8	3.24	15 5/8	32 5/8	14 1/8	31 7/16	3.08	
3036	36 1/4	42	17 3/16	39 3/4	14 7/8	37 3/8	3.86	15 5/8	38 5/8	14 1/8	37 7/16	3.67	
EGRESS	4040	48 1/4	48	23 3/16	45 3/4	20 7/8	43 3/8	6.29	21 5/8	44 5/8	20 1/8	43 7/16	6.07
	4050	48 1/4	60	23 3/16	57 3/4	20 7/8	55 3/8	8.03	21 5/8	56 5/8	20 1/8	55 7/16	7.75
	5040	60 1/4	48	29 3/16	45 3/4	26 7/8	43 3/8	8.10	27 5/8	44 5/8	26 1/8	43 7/16	7.88